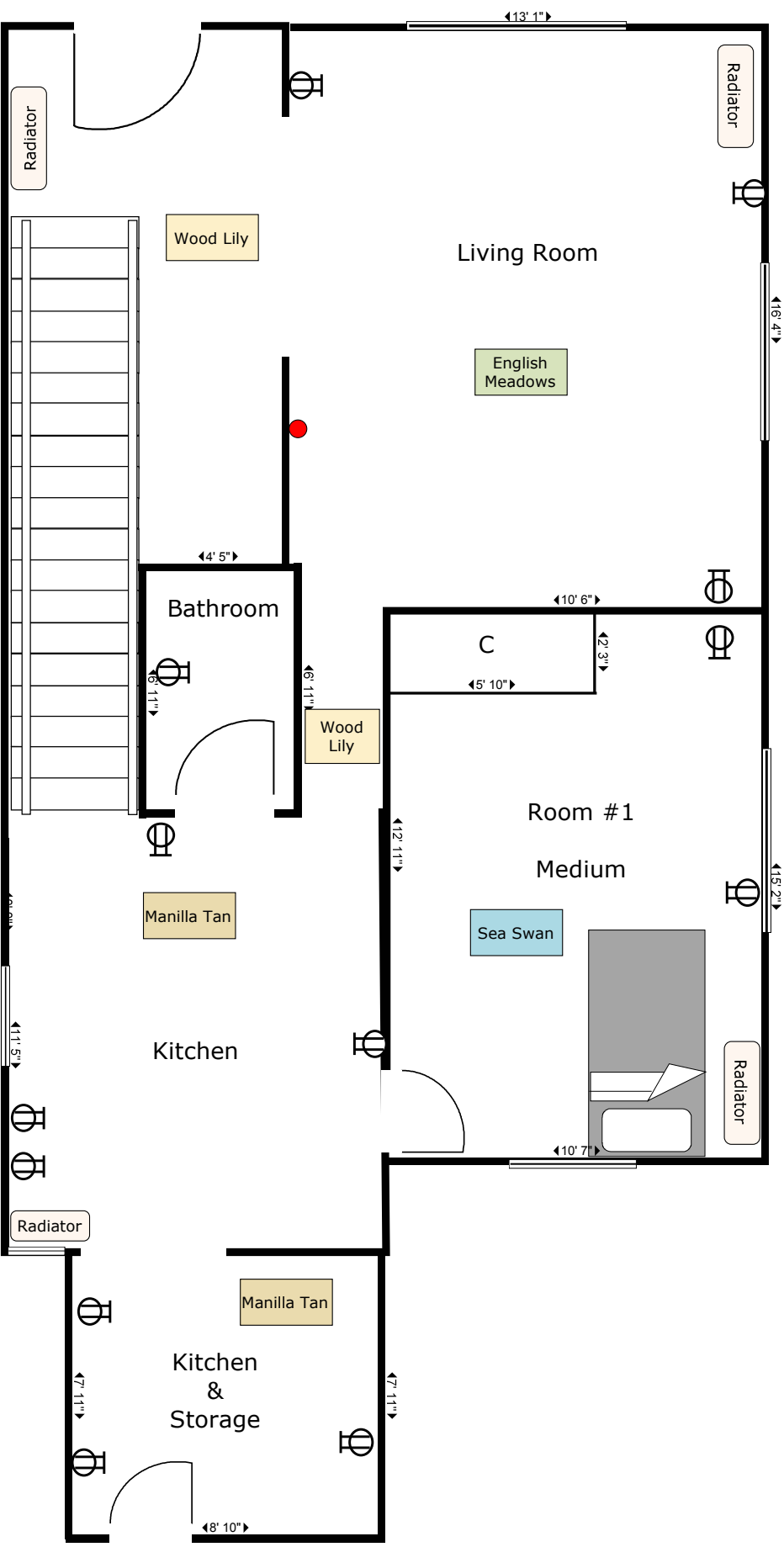

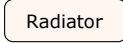

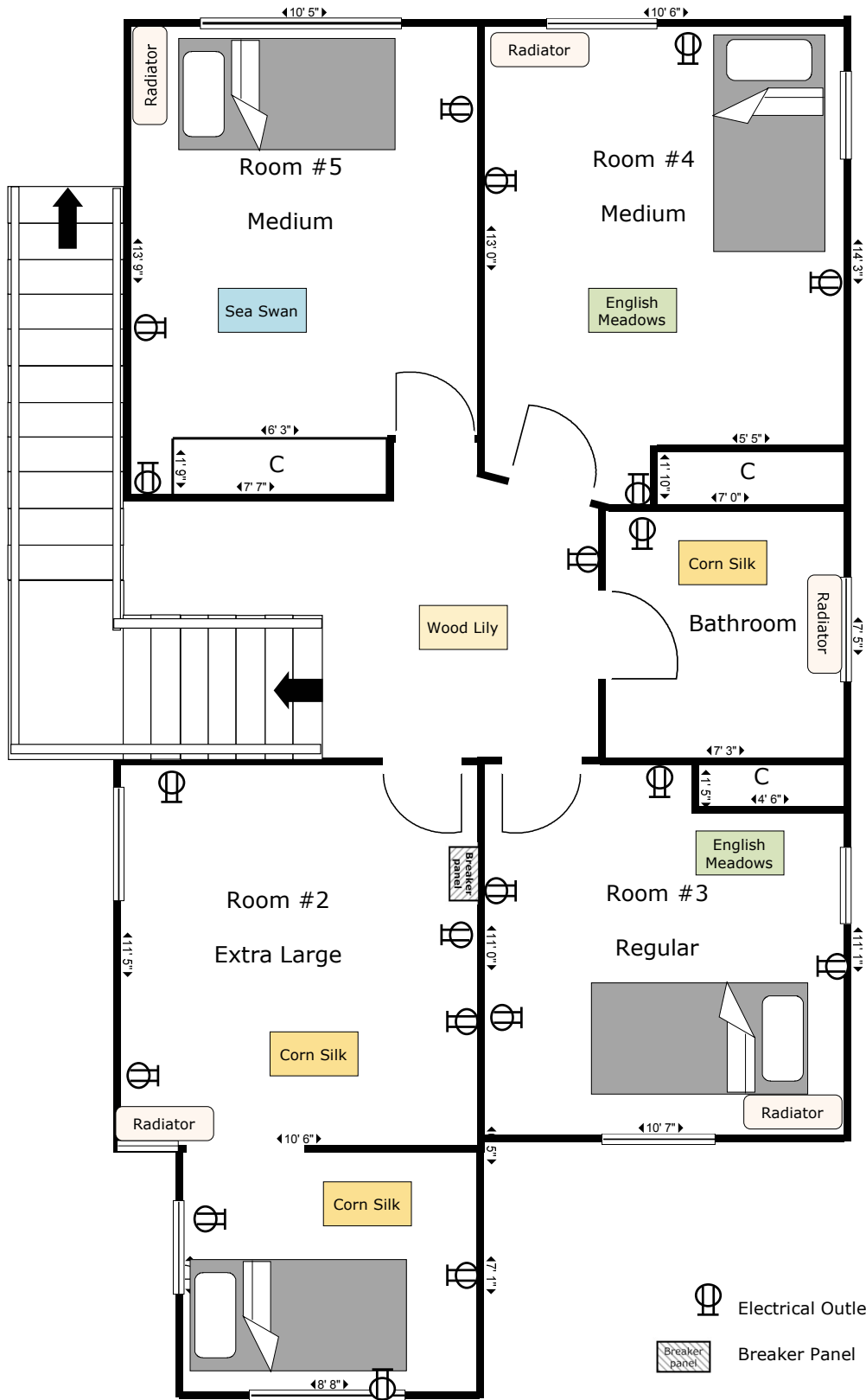




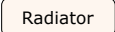
# 31 Garrett 1st Floor





-  Electrical Outlet
-  Radiator
-  Thermostat

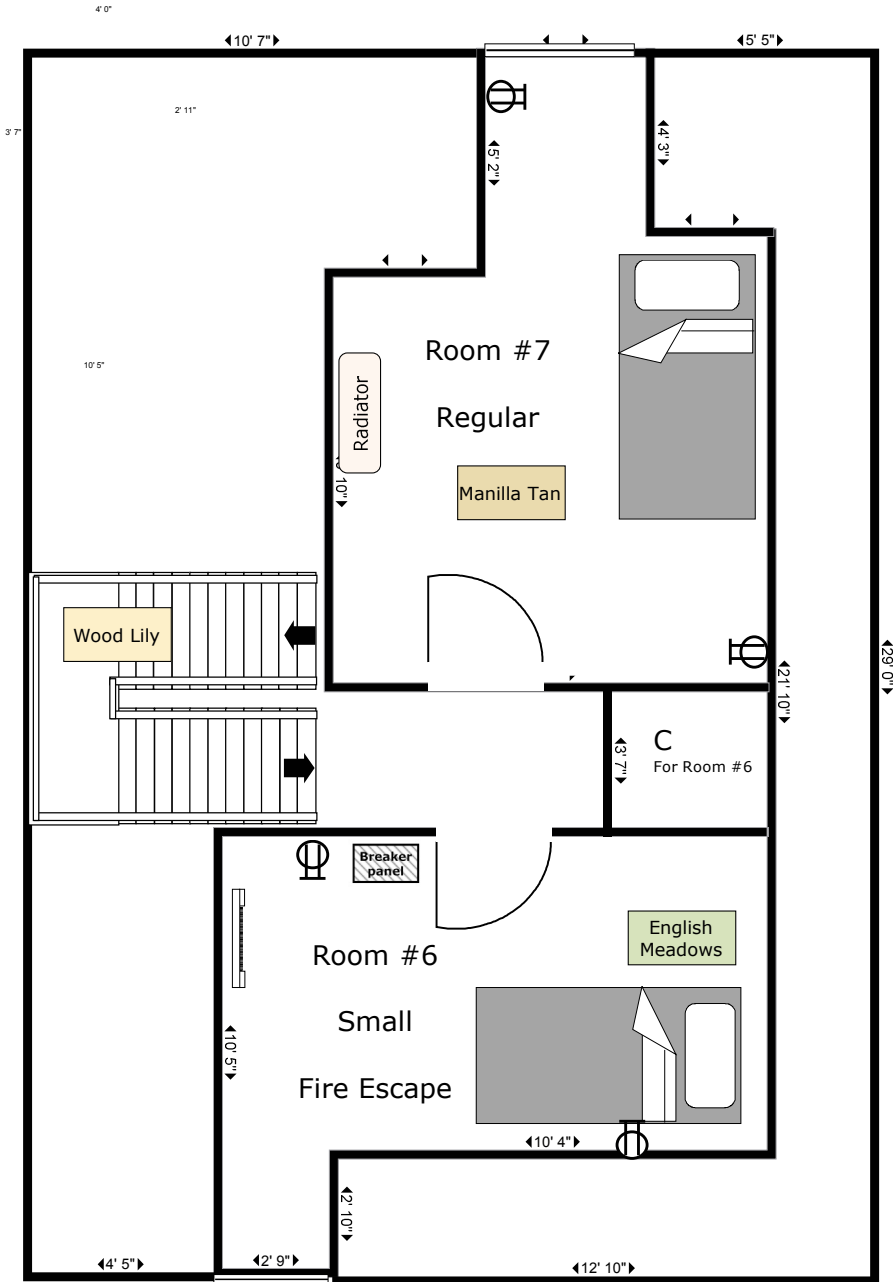
# 31 Garrett 2nd Floor



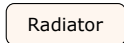



-  electrical outlet
-  Breaker Panel
-  Radiator

-  Electrical Outlet
-  Breaker Panel

# 31 Garrett 3rd Floor

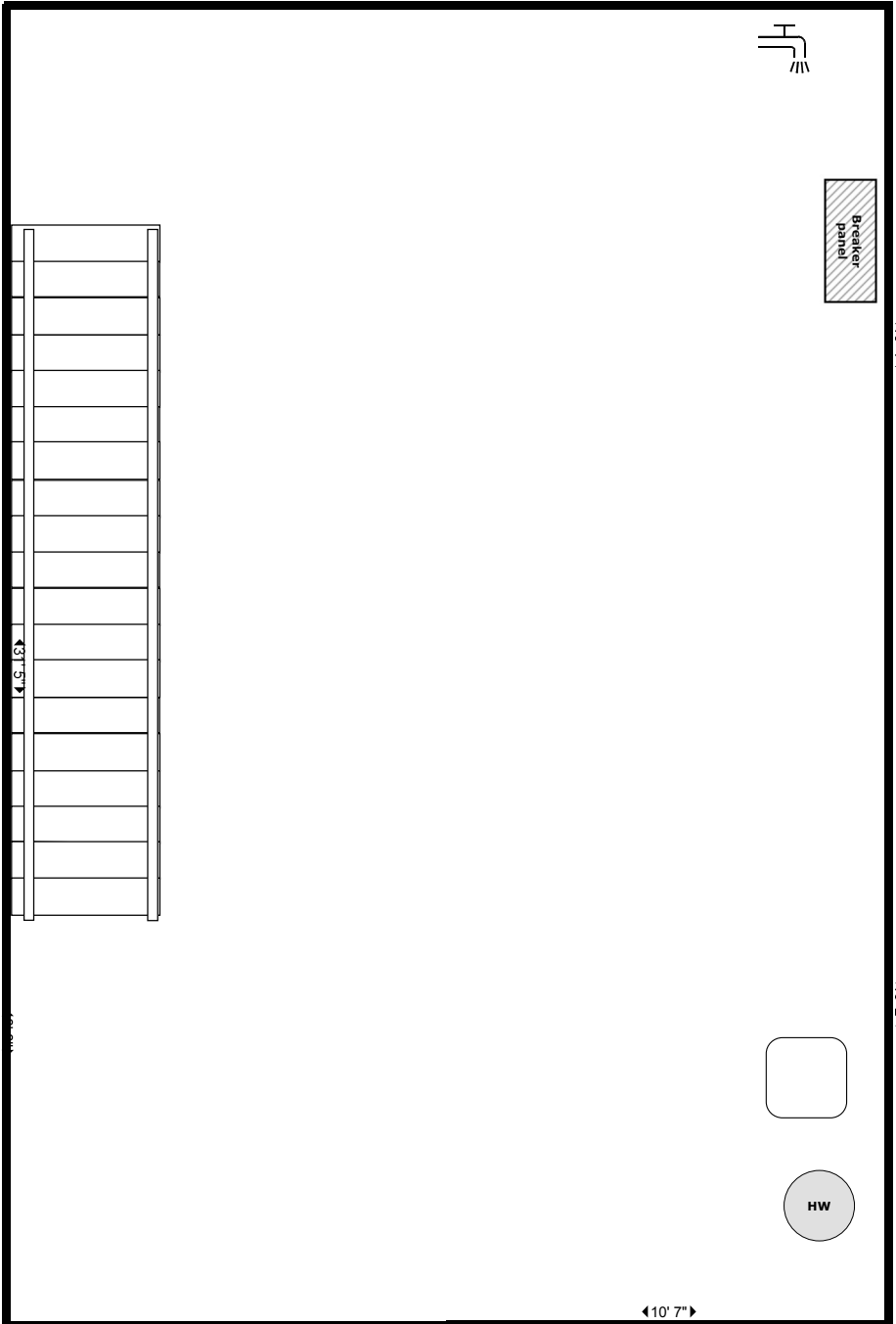


-  Electric Outlet
-  Breaker Panel
-  Radiator
-  Electric Baseboard Heater

# 31 Garrett Basement

Garrett Street

◀21' 0"▶



Breaker Panel



Main Water Shut-off



Boiler



Hot Water Tank

◀16' 4"▶

◀15' 2"▶

◀10' 7"▶

◀31' 5"▶

